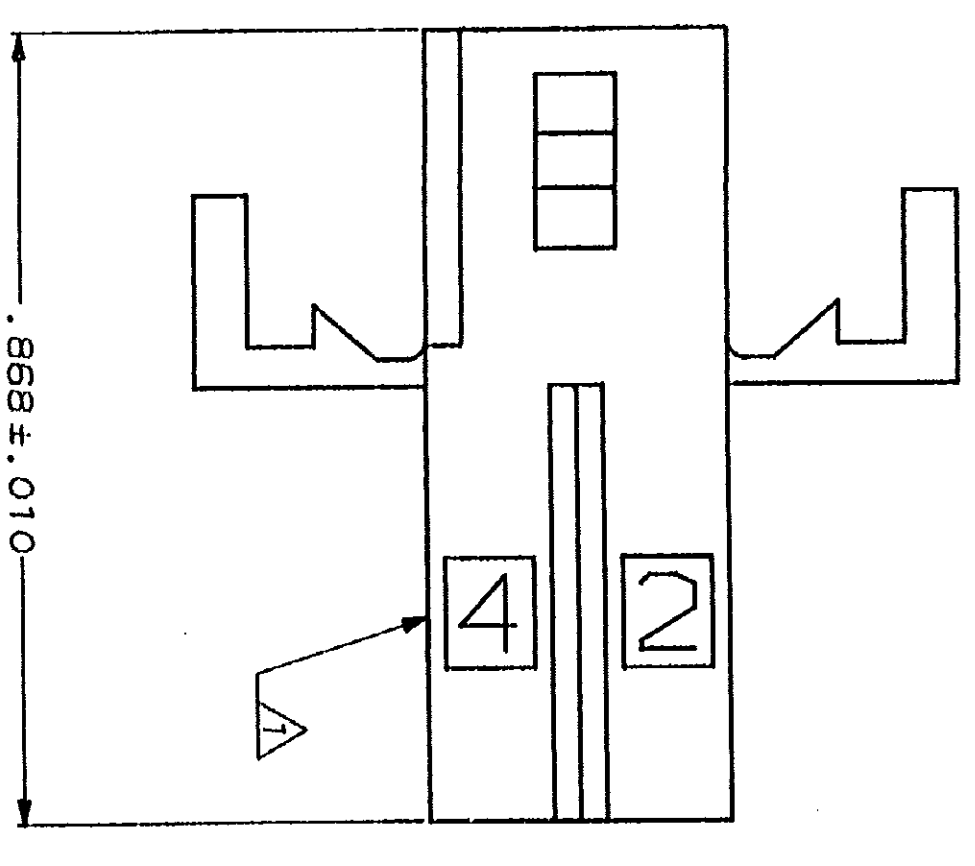
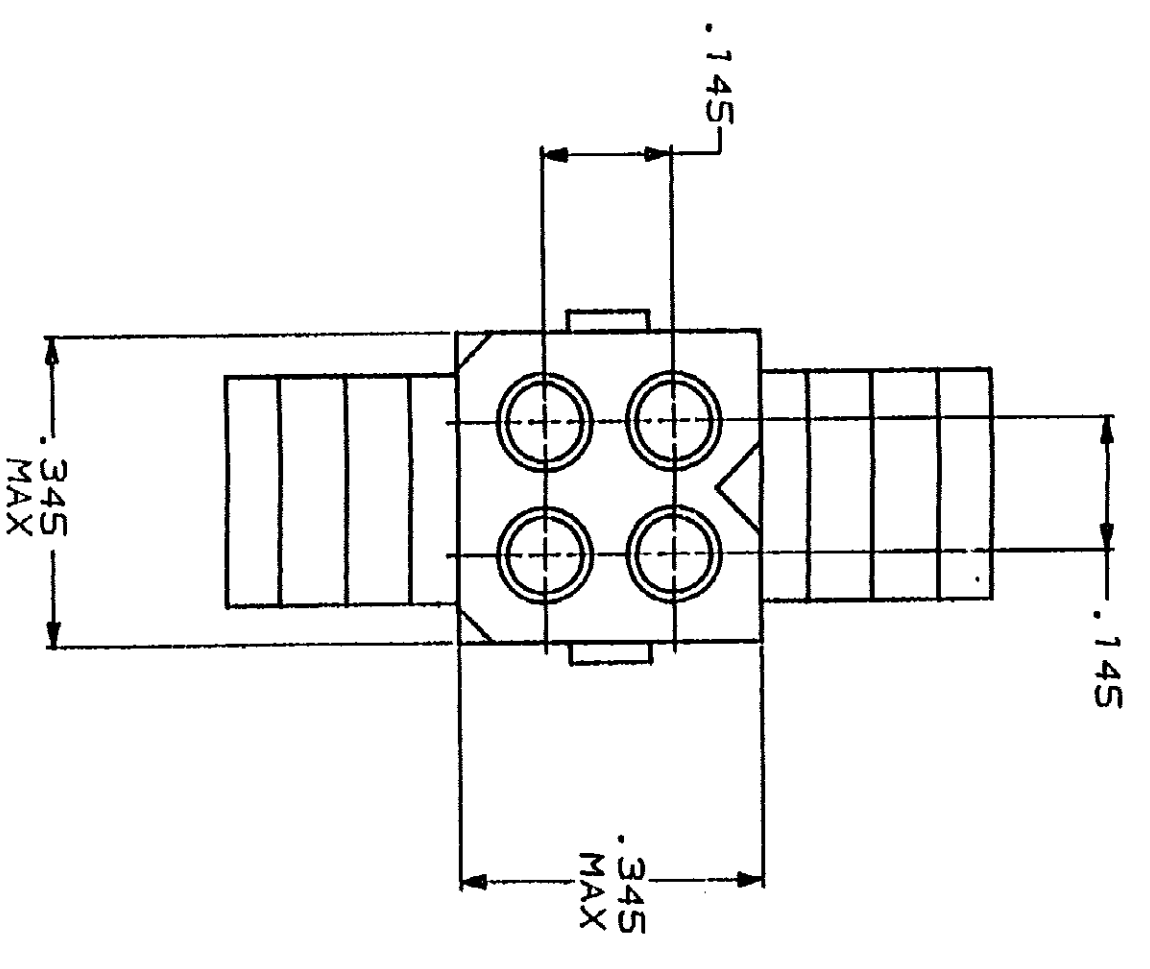
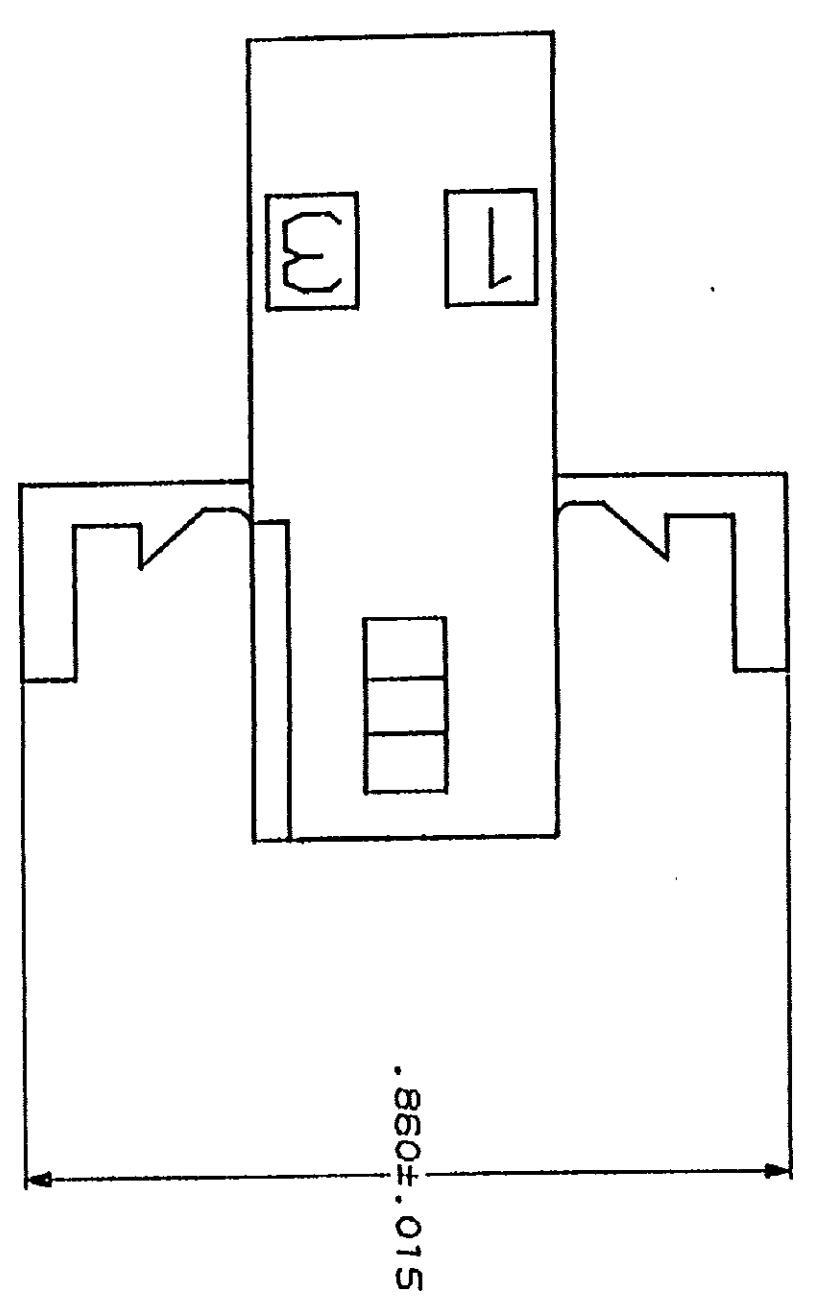
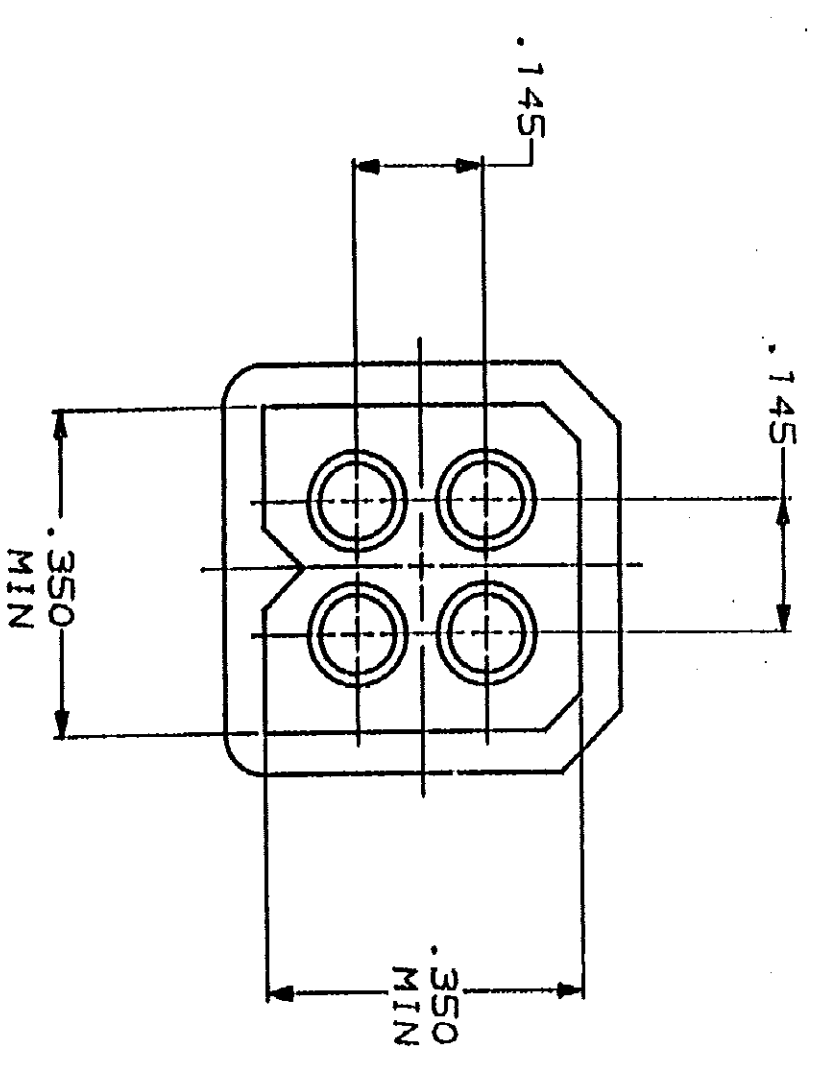


DRAWING MADE IN THIRD ANGLE PROJECTION
 THIS DRAWING IS UNCONTROLLED. RELEASED FOR PUBLICATION
 © COPYRIGHT 19 BY AMP INCORPORATED. ALL INTERNATIONAL RIGHTS RESERVED. .13

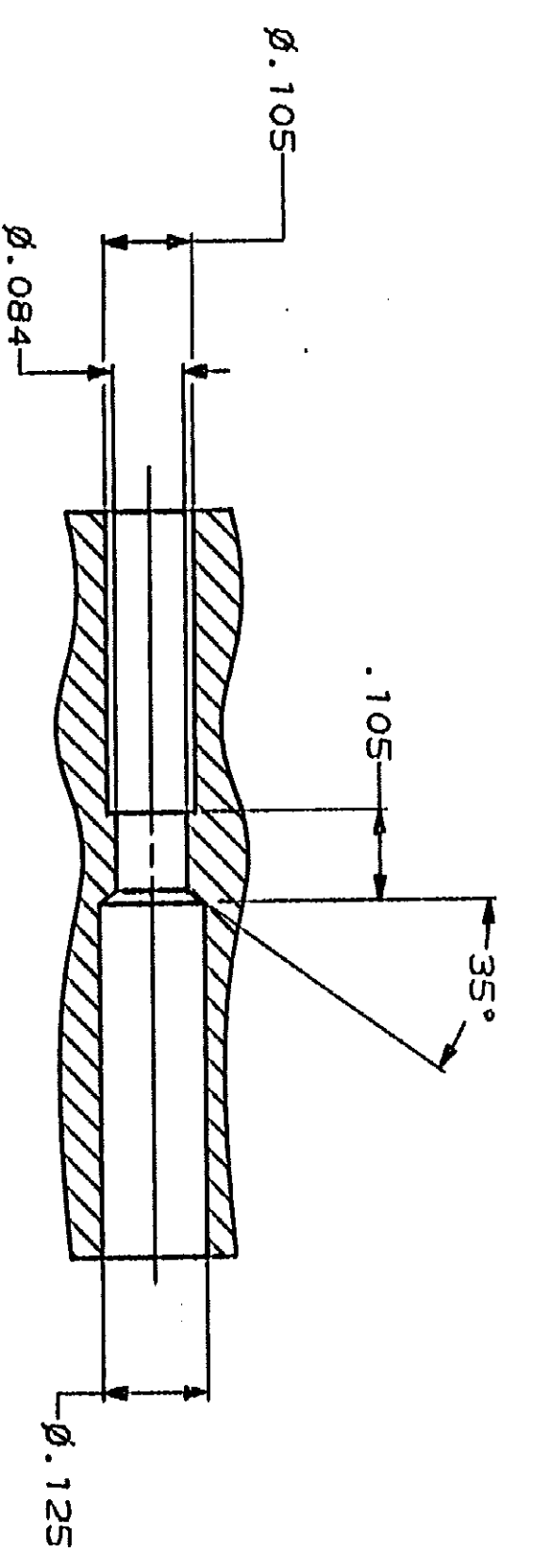
8 7 6 5 4 3 2 1



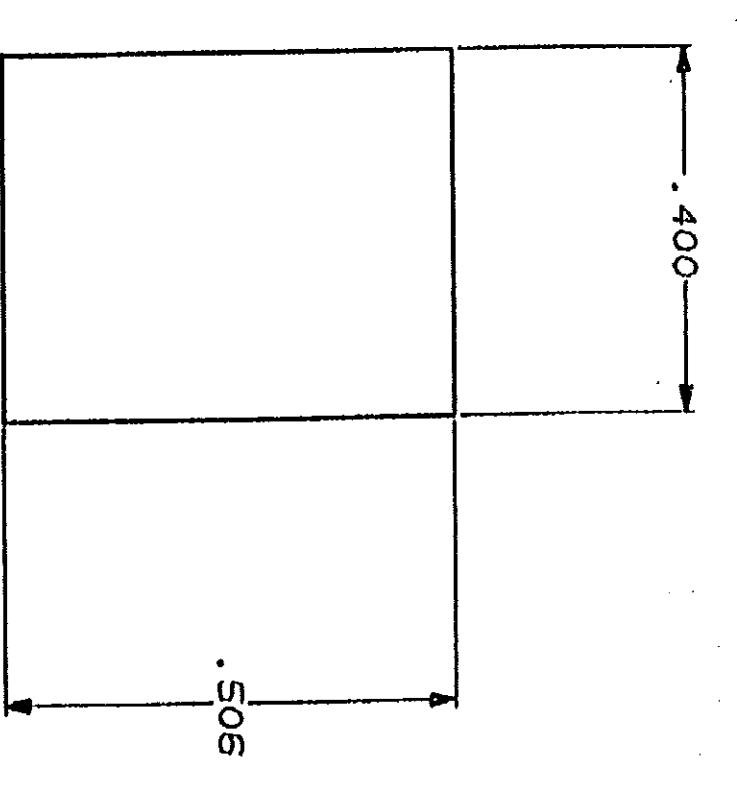
△ AMP LOGO LOCATED THIS SURFACE.



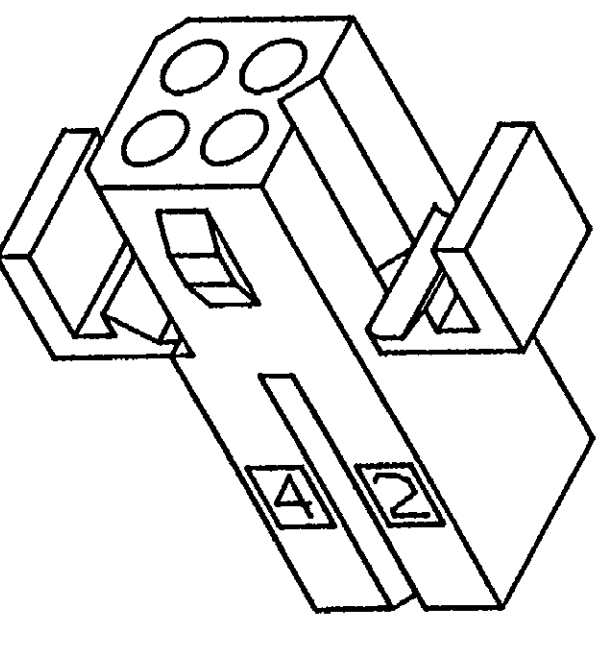
MATING CONNECTOR INTERFACE



TYPICAL RECEPTACLE CAVITY SECTION
 (DIMENSIONS REFERENCE ONLY)

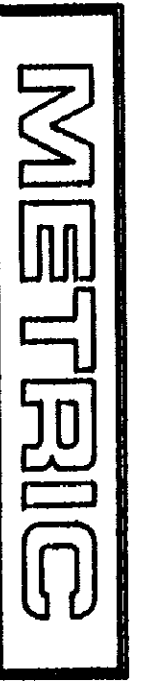


RECOMMENDED CUTOUT FOR
 .062 MAX THICK PANEL



3-DIMENSIONAL MODEL
 NTS

| CONVERSION TABLE | | | |
|------------------|------|------|-------|
| IN | MM | IN | MM |
| .145 | 3.68 | .868 | 22.05 |
| .062 | 1.57 | .860 | 21.84 |
| .060 | 1.52 | .506 | 12.85 |
| .015 | 0.38 | .400 | 10.16 |
| .010 | 0.25 | .350 | 8.89 |
| .005 | 0.13 | .345 | 8.76 |



| | | | | | |
|---|--|---|-------------------------|---------------------------|---------------------|
| DO NOT SCALE PRINT. UNLESS SPECIFIED IN CHANGES TOLERANCES ON: 2 PLG DEC ± .005 3 PLG DEC ± .005 ANGLES MATERIAL NYLON, UL 94V-2, NATURAL | | DR K. WHITAKER 11-3-88 | CHK R. SWINS 11-3-88 | APPD R. CARSON 11-4-88 | DATE |
| FINISH NATURAL | | APPLICATION SPEC | PRODUCT SPEC | SIZE D 00779 | SCALE 5:1 |
| AMP INCORPORATED AMP INCORPORATED MILWAUKEE, WI 53180 | | RECEPTACLE, PANEL MOUNT, 4 CIRCUIT, .062 PIN AND SOCKET | | DRAWING NO 770441 | PART NO 770441-1 |
| CUSTOMER DRAWING | | 1 OF 1 | | SHEET | |

| REV | DATE | APPROV | DESCRIPTION |
|-------|---------|--------|-------------------------|
| CM 53 | 8-11-82 | CS | ADDED METRIC CONVERSION |